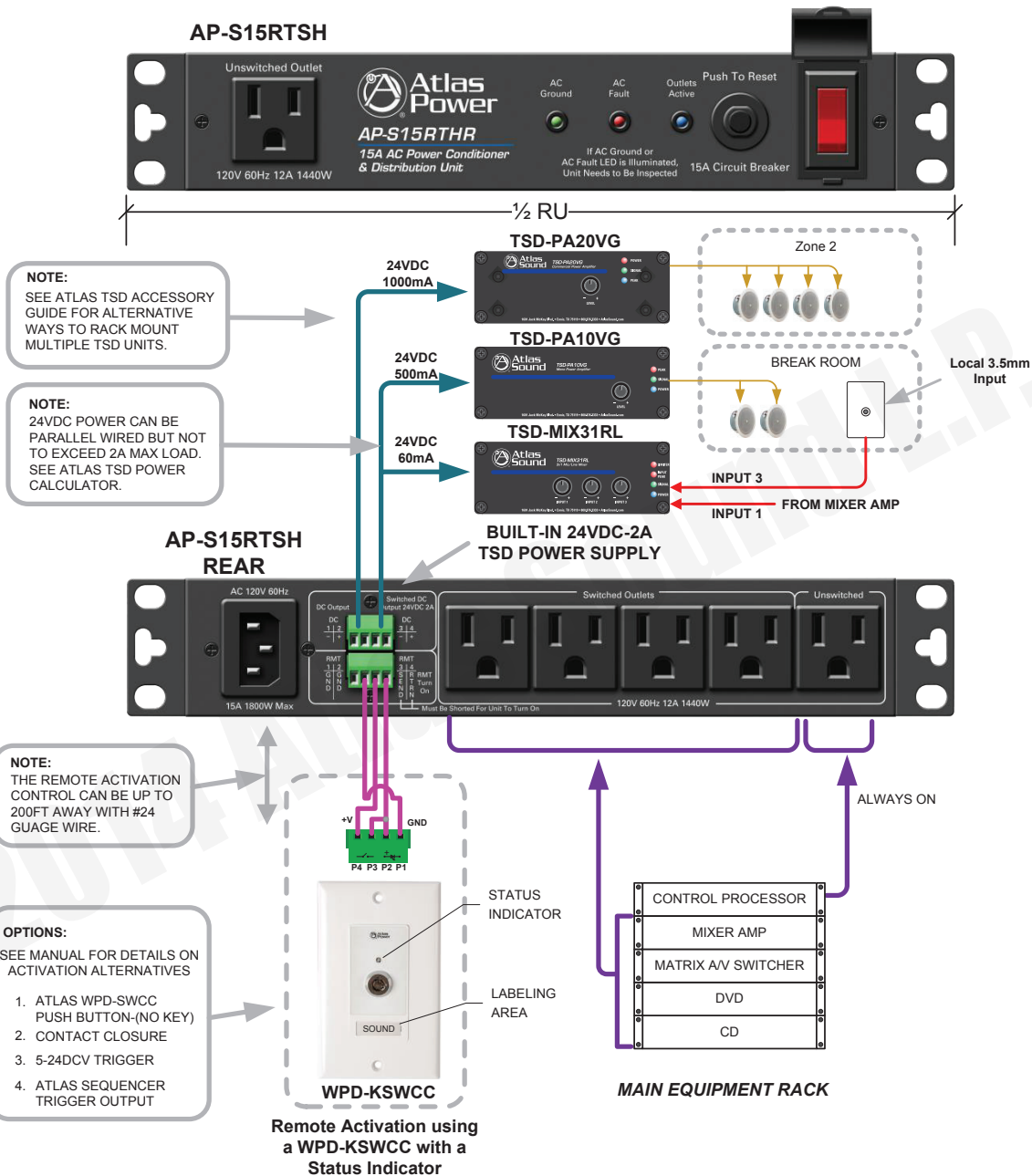




## Remote Activation of AP-S15RTHR 24VDC Output Powering TSDs



©2014 Atlas Sound L.P. All rights reserved. Atlas Sound is a trademark of Atlas Sound L.P. All other trademarks are property of their respective owners. ATS004911 RevA 6/14



1601 Jack McKay Blvd. • Ennis, Texas 75119 U.S.A.  
Telephone: 800.876.3333 • Fax: 800.765.3435



**Overview:**

The AP-S15RTHR half width rack design offers power management control, remote activation, 24VDC 2000mA outputs, noise filtering, spike/surge protection and six AC outlets making it the most compact, cost effective power management protection system on the market today.

**Application Example Description:**

This example illustrates an AP-S15RTHR used in a basic system in conjunction with a key switch (WPD-KSWCC) to remotely activate the power to a main mixer amplifier, DVD player, video matrix switcher, and CD player in a head-end rack. The “always-on” outlet is used to keep the system control processor powered in ready mode. In addition, the built-in 24VDC 2000mA power supply is used to distribute AC power to three TSD units. TSD units make it simple to add a Zone 2 side room or break room. In this example, the main mixer amplifier pre-out feeds input channel 1 on a TSD-MIX31RL and channel 3 is connected to 3.5mm wall plate input in the break room. This allows the break room to play local audio or main mixer amplifier source audio. For example, in a side room in a House of Worship, the zone can monitor a service in the main chapel or play audio from an iPhone®.

**Benefits:**

- Cost effective Compact Power Management
- 6 Total Outlets
  - 4 Rear Switched
  - 1 Rear Un-switched
  - 1 Front Un-switched
- Switched Outlet Active LED Indicator
- Built-in 24VDC 2000mA Power Supply for TSD integration
- Voltage or Contact Closure Remote Activation
- Emergency Power Down Capability
- RFI, EMI, and 6kV Spike protection with LED Fault Indication
- Half Width Rack, Fits Atlas Sound WMA-HR or AWR-HR Series Racks
- 19" Rack Mounting Kit Available

**Application Example Notes:**

1. AP-S15RTHR provides a maximum of 15A before tripping internal circuit breaker.
2. The AP-S15RTHR can be remotely activated by dry contact closure or via a 5V – 24VDC voltage.
3. A removable 12" IEC power cord with a retainer bracket is supplied with the unit.
4. The AC Ground (Green LED) must be illuminated for safe operation. If the LED isn't ON after installing, it means that the A/C outlet being used is missing an Earth ground. If this happens, an authorized electrician must repair the circuit before continuing.
5. The built-in 24VDC power supply has a maximum total of 2000mA capacity. See Atlas TSD Power Calculator for help determining specific TSD requirements.
6. 19" PA702RMK option holds two side-by-side AP-S15RTHR or other half width rack units in one RU space.
7. See ATLAS TSD Accessory Guide for multiple ways to mount TSD units in a Rack.



1601 Jack McKay Blvd. • Ennis, Texas 75119 U.S.A.  
Telephone: 800.876.3333 • Fax: 800.765.3435

©2014 Atlas Sound L.P. All rights reserved. Atlas Sound is a trademark of Atlas Sound L.P. All other trademarks are property of their respective owners. AT5004911 RevA 6/14